

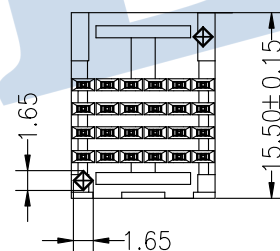
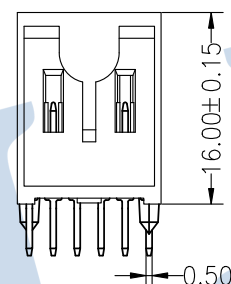
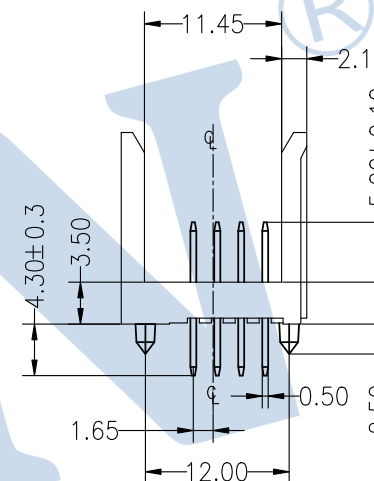
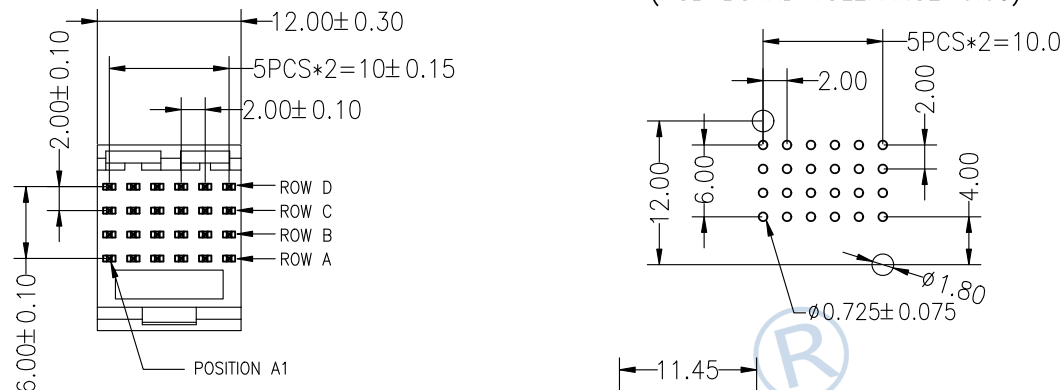


**SPECIFICATIONS**

Rated Current:1.0AMP  
 Contact Resistance:30mΩ Max  
 Withstand Voltage:500V AC/DC  
 Insulation Resistance:1000MΩ Min  
 Operation Temperature:-40°C to +105°C

Contact Material:Brass  
 Contact Plating: Au or Sn Over Ni  
 Insulator Material: Polyester(UL94V-0)  
 Resistance To Soldering Heat:  
 260°C±5°C, 10s(LCP insulator)

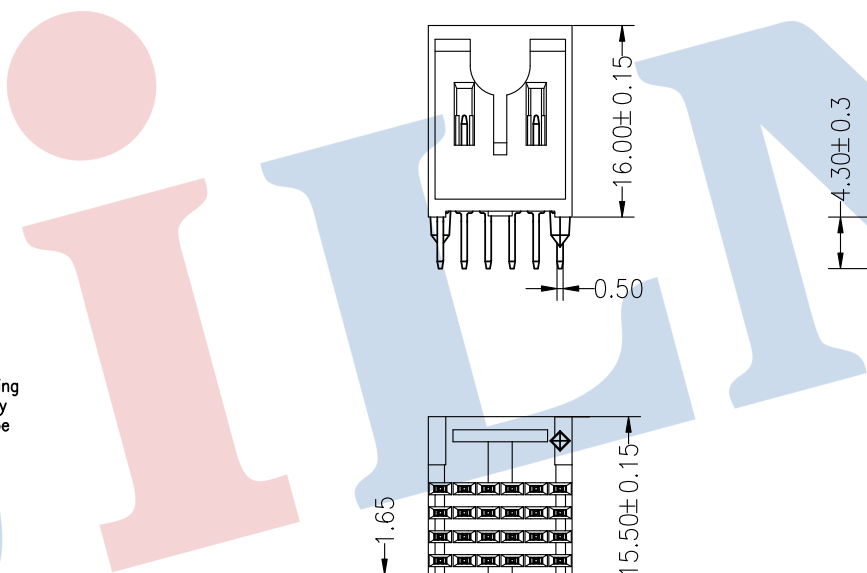
**Recommended P.C.B Layout(Top Side)**  
 (PCB BOARD TOLERANCE±0.05)



**Ordering Information**

**3510 4 24 A M S XX NW X X**

- No. of Pins: 24P
- Contact Type: F:Female, M:Male
- Contact Plating: G0:Gold Flash, S0:Gold Flash/Tin, S1:2U" Gold/Tin, S2:5U" Gold/Tin, S3:10U" Gold/Tin, S4:15U" Gold/Tin, S5:30U" Gold/Tin, SN:Tin
- Packing: A:Tray, T:Tube



				OPERATION		DRAW	YiYuSheng	19.09.21	SCALE	FIT	<b>JILN</b> ® 深圳市锦凌电子有限公司 SHENZHEN JINLING ELECTRONICS CO.,LTD Tel: 86-755-27483253 Fax: 86-755-2997-5588		
				X.X	±0.30				UNIT	mm			
				X.XX	±0.20	CHECK		SIZE	A4	PART NO.			3510424AMSXXNWX
				X.XXX	±0.10	APPROVE		SHEET	1/1	TITLE:			FUTURE BUS,4*6 Male 180°
REV	DATE	MODIFICATION DESCRIPTION	CHANGE	DIM	TOL			PROJ.					