

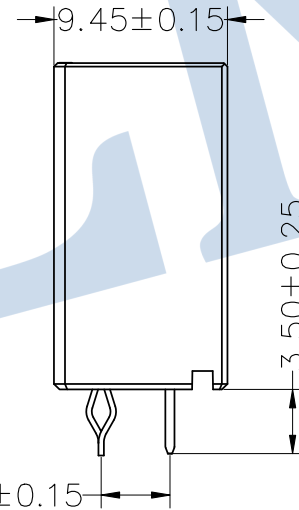
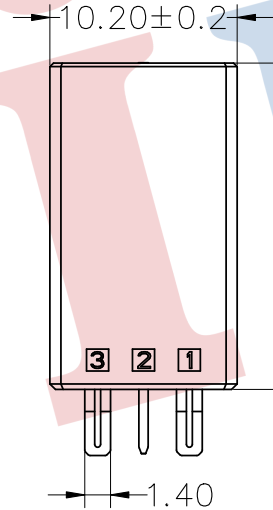
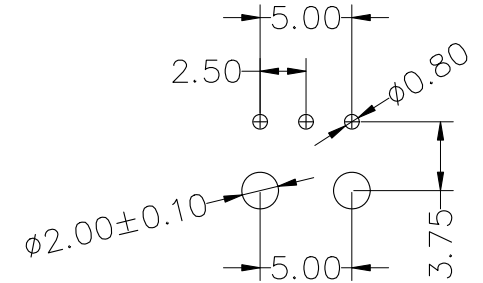
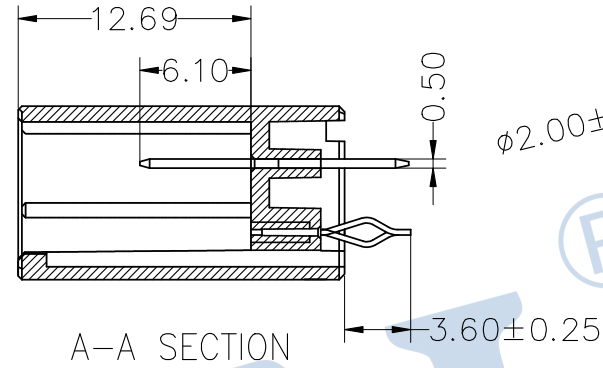
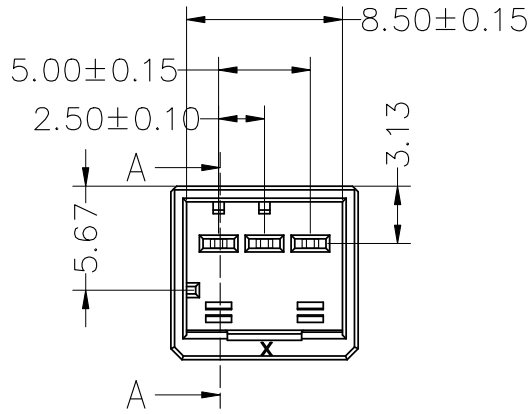
HSF RoHS

SPECIFICATIONS

Rated Current:3.0AMP
 Contact Resistance:20mΩ Max
 Withstand Voltage:1000V AC/DC
 Insulation Resistance:1000MΩ Min
 Operation Temperature:-40°C to +105°C

Contact Material:Phosphor Bronze
 Contact Plating:Au or Sn Over Ni
 Retention LEG:Copper Alloy
 Retention LEG Plating:Tin Over Ni
 Insulator Material:Polyester(UL94V-0)
 Resistance To Soldering Heat:
 245° C±5° C, 10s(PBT insulator)
 260° C±5° C, 10s(PA6T&PA9T&LCP insulator)

Recommended P.C.B Layout



Ordering Information

8600-1 03 XX A B 0 X

No. of Pins
1x3P

Contact Plating
 G0:Gold Flash
 G1:3U" Gold
 G2:5U" Gold
 G3:10U" Gold
 G4:15U" Gold
 G5:30U" Gold
 S0:Gold Flash/Tin
 SN:Tin
 SM:Matte-Tin

Insulator Material
 Option
 A=BK-PBT
 B=BK-PA66
 C=BK-PA6T
 D=BK-PA46
 E=BK-PA9T
 F=BK-LCP

OPERATION

X.X	±0.30
X.XX	±0.20
X.XXX	±0.10
Angle	±3°
DIM	TOL

DRAW

YiYuSheng

19.02.15

SCALE

FIT

UNIT

mm

SIZE

A4

SHEET

1/1

PROJ.

☯

JILN® 深圳市锦凌电子有限公司
 SHENZHEN JINLING ELECTRONICS CO.,LTD

Tel: 86-755-27483253 Fax: 86-755-2997-5588

PART NO.

8600-103XXABOX

TITLE:

2.50mm带围墙单排3Pin针座

客户规格:

A型单排3芯公针(1318123-1)

REV	DATE	MODIFICATION DESCRIPTION	CHANGE
A0	2019.02.15	NEW DRAWING	