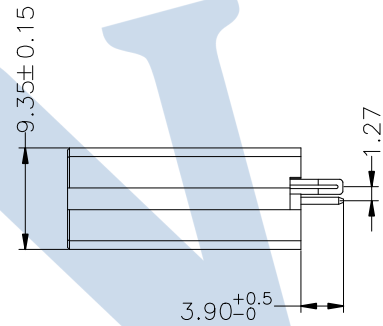
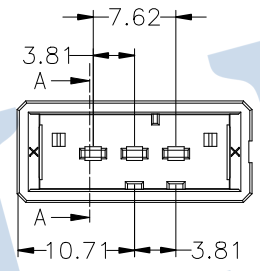
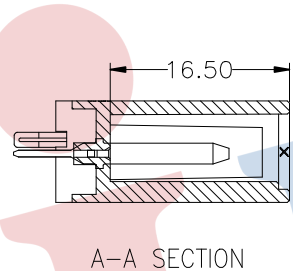
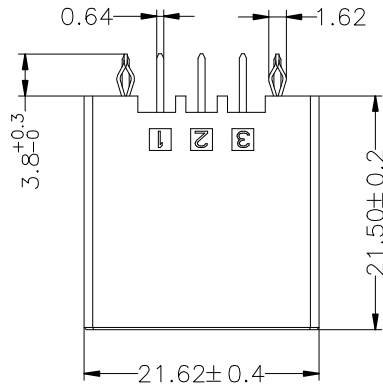


HSF RoHS

SPECIFICATIONS

Rated Current:5.0AMP
 Contact Resistance:20mΩ Max
 Withstand Voltage:1000V AC/DC
 Insulation Resistance:1000MΩ Min
 Operation Temperature:-40°C to +105°C

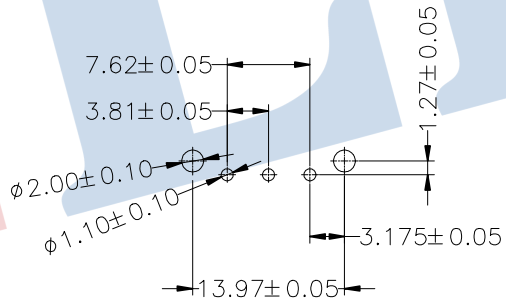
Contact Material:Phosphor Bronze
 Contact Plating:Au or Sn Over Ni
 Retention LEG:Copper Alloy
 Retention LEG Plating:Tin Over Ni
 Insulator Material:Polyester(UL94V-0)
 Standard: PBT
 Max.Processing Temp: 230°C±5°C 5S



Ordering Information

8600-1 03 XX A B 0X

- No.of Pins
1x3P
- Contact Plating
G0:Gold Flash
G1:3U" Gold
G2:5U" Gold
G3:10U" Gold
G4:15U" Gold
G5:30U" Gold
S0:Gold Flash/Tin
SN:Tin
SM:Matte-Tin
- Insulator Material
Option
A=BK-PBT
B=BK-PA66
C=BK-PA6T
D=BK-PA46
E=BK-PA9T
F=BK-LCP



Recommended P.C.B Layout

KEYING LOCATION	KEYING	JILN P/N	
	Y	8600-103XXAB01	2-178313-5
	X	8600-103XXAB01	1-178313-5

OPERATION	DRAW	Jelly Feng	2023.03.13	SCALE	FIT
				X.X ±0.30	UNIT
X.XX ±0.20	CHECK			SIZE	A4
X.XXX ±0.10				SHEET	1/1
Angle ±3°	APPROVE			PROJ.	
DIM TOL					

JILN 深圳市锦凌电子有限公司
 SHENZHEN JINLING ELECTRONICS CO.,LTD
 Tel: 86-755-27483253 Fax: 86-755-2997-5588

REV	DATE	MODIFICATION DESCRIPTION	CHANGE
A0	2023.03.13	NEW DRAWING	

PART NO.	8600-103XXAB0X
TITLE:	3.81mm A型接插件针座