

# HSF RoHS

## SPECIFICATIONS

Rated Current: 2.0AMP

Contact Resistance: 20mΩ Max

Withstand Voltage: 500V AC/DC

Insulation Resistance: 500MΩ Min

Operation Temperature: -40°C to +105°C

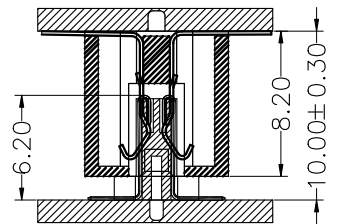
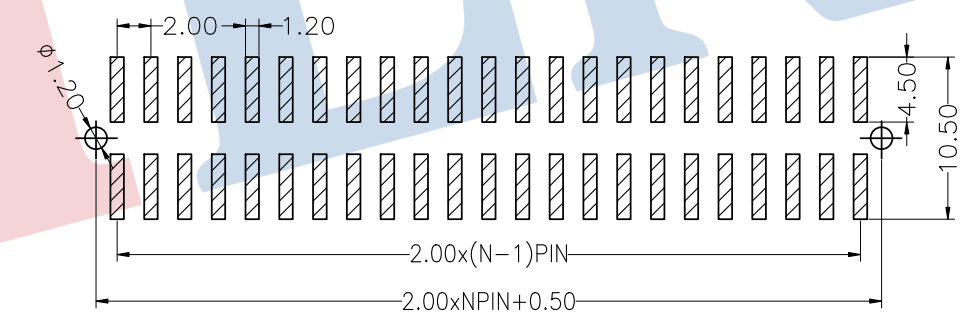
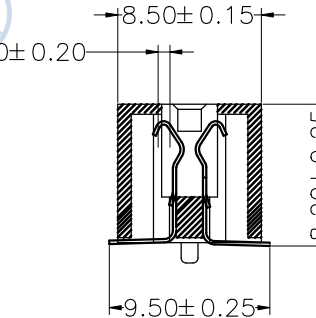
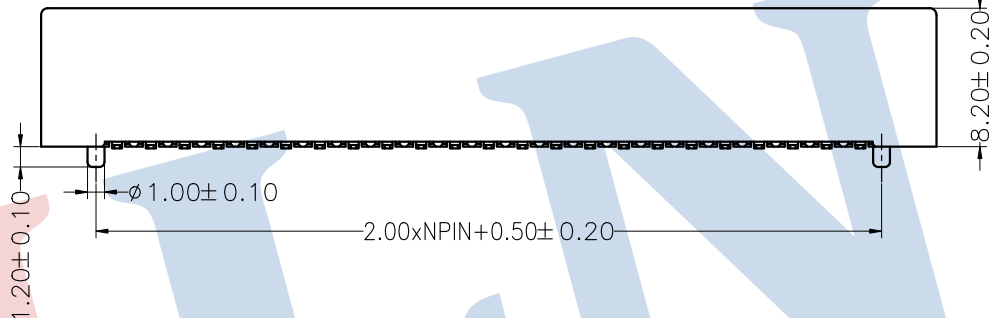
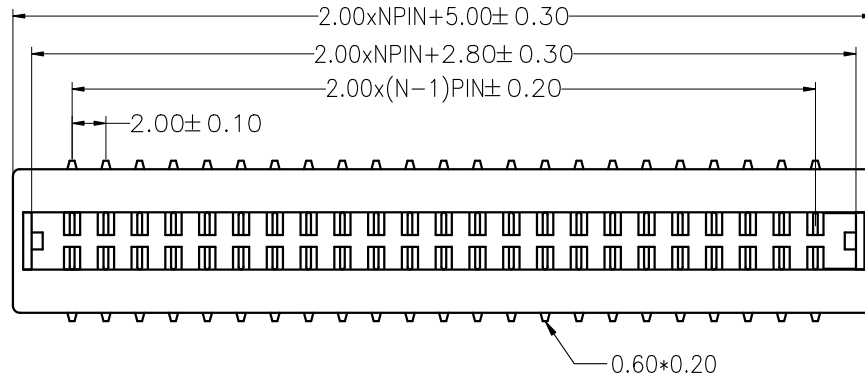
Contact Material: Phosphor bronze

Contact Plating: Au or Sn Over Ni

Insulator Material: Polyester (UL94V-0)

Resistance To Soldering Heat:

260°C ± 5°C, 10s (PA9T insulator)



Mating Draw (Ref)

Recommended P.C.B Layout (Top Side)

## Ordering Information

4400- 2 XX M XX F E B W 0 X

No. of Pins  
2x23P  
2x25P

Contact Plating  
G0: Gold Flash  
G1: 1U" Gold  
G2: 2U" Gold  
G3: 3U" Gold  
G4: 5U" Gold  
G5: 10U" Gold

OPERATION		DRAW	OuYangHui	21.07.29	SCALE	FIT
X.X	±0.30				UNIT	mm
X.XX	±0.20	CHECK			SIZE	A4
X.XXX	±0.10				SHEET	1/1
Angle	±3°	APPROVE			PROJ.	☉
DIM	TOL					

**JILN** 深圳市锦凌电子有限公司  
 SHENZHEN JINLING ELECTRONICS CO.,LTD  
 Tel: 86-755-27483253 Fax: 86-755-2997-5588

PART NO. 4400-2XXMXXFEBW0X

TITLE: 2.0金手指连接器 2XNP 母座 SMT 带柱 H8.2

A0	2021.07.29	NEW DRAWING	
REV	DATE	MODIFICATION DESCRIPTION	CHANGE