

HSF RoHS

SPECIFICATIONS

Rated Current: 2.0AMP

Contact Resistance: 20mΩ Max

Withstand Voltage: 500V AC/DC

Insulation Resistance: 500MΩ Min

Operation Temperature: -40°C to +105°C

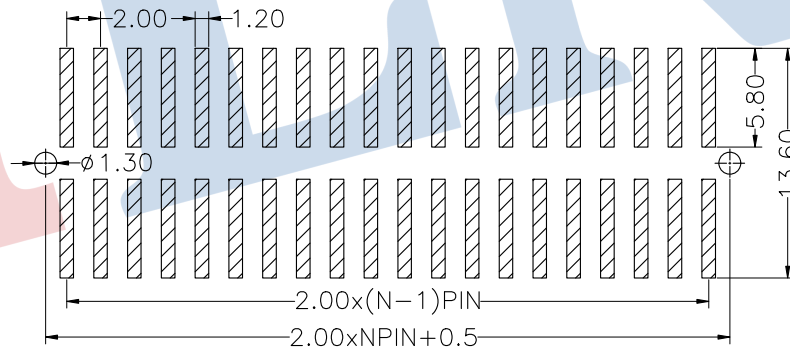
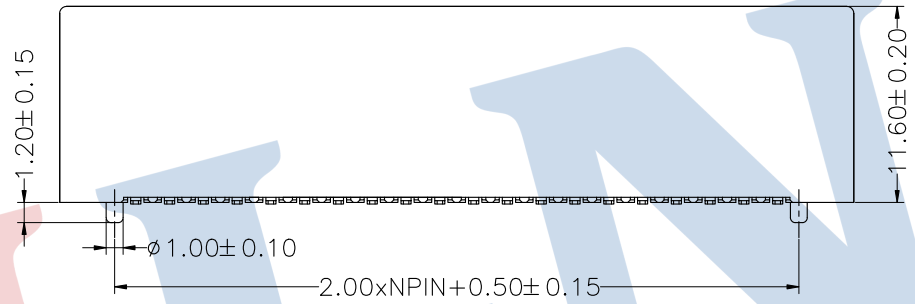
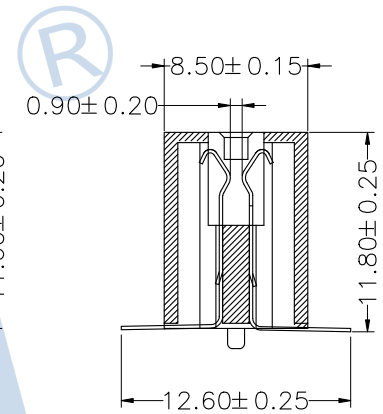
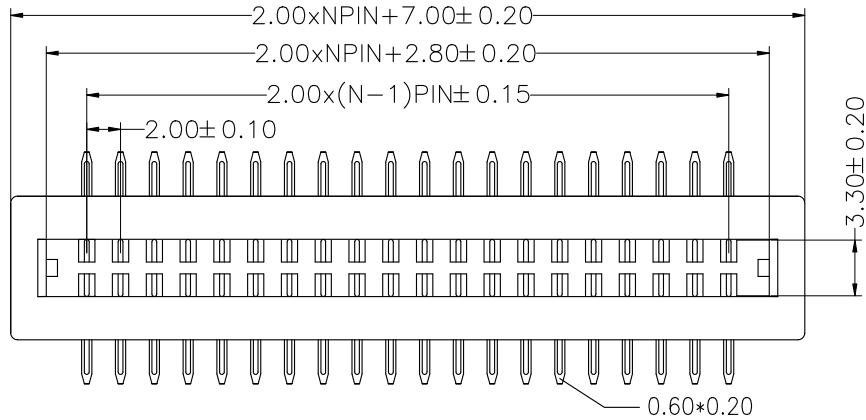
Contact Material: Phosphor bronze

Contact Plating: Au or Sn Over Ni

Insulator Material: Polyester (UL94V-0)

Resistance To Soldering Heat:

260°C ± 5°C, 10s (PA9T insulator)



Recommended P.C.B Layout (Top Side)

Ordering Information

4400- 2 XX M XX F E B W 0 X

No. of Pins
2x04P
2x13P
2x15P
2x20P
2x23P
2x25P

Contact Plating
G0: Gold Flash
G1: 1U" Gold
G2: 2U" Gold
G3: 3U" Gold
G4: 5U" Gold
G5: 10U" Gold

| OPERATION | | DRAW | yiyusheng | 16.08.09 | SCALE | FIT |
|-----------|-------|---------|-----------|----------|-------|-----|
| X.X | ±0.30 | | | | | |
| X.XX | ±0.20 | CHECK | | | UNIT | mm |
| X.XXX | ±0.10 | | | | SIZE | A4 |
| Angle | ± 3° | APPROVE | | | SHEET | 1/1 |
| DIM | TOL | | | | PROJ. | ☉ |

JILN® 深圳市锦凌电子有限公司
SHENZHEN JINLING ELECTRONICS CO.,LTD

Tel: 86-755-27483253 Fax: 86-755-2997-5588

PART NO. 4400-2XXMXXFEBW0X

TITLE: 2.0金手指连接器 2xNP 母座H11.6 SMT 带柱

| REV | DATE | MODIFICATION DESCRIPTION | CHANGE |
|-----|------------|--------------------------|--------|
| A0 | 2016.08.09 | NEW DRAWING | |