

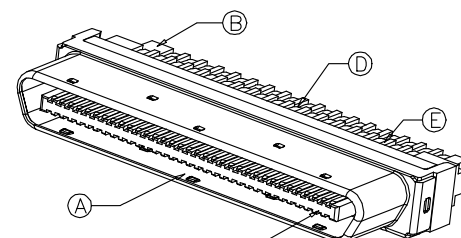
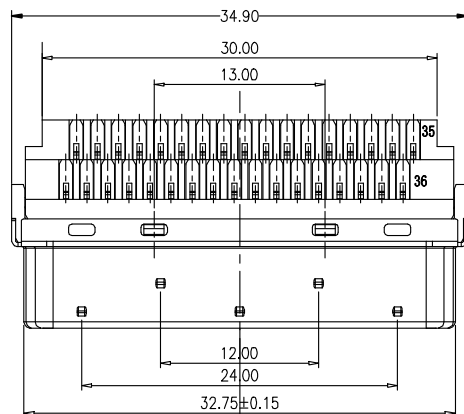
HSF RoHS

MATERIAL:

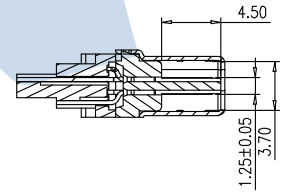
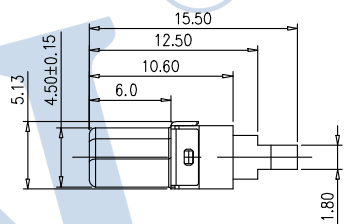
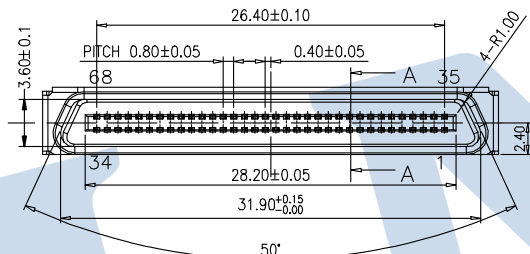
1. Insulator: PBT Fiber (UL94V-0)
2. Cover: LCP Fiber (UL94V-0)
3. Contact: Brass Contact Plated: Gold Flash over Nickel
4. Shell: SPCC, Nickel Plated

SPECIFICATION:

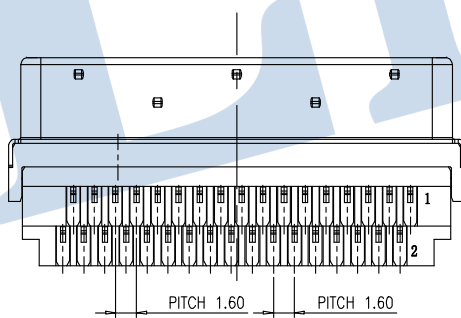
1. Current Rating: 2.0 AMPS MAX
2. Voltage Rating: 30V AC MAX
3. Contact Resistance: 30 mΩ MAX
4. Insulation Resistance: 1000MΩ MIN. AT 500V DC
5. Dielectric Strength: 500V for five second
6. Operation Temperature: -55°C ~ +105°C



3D VIEW



SECTION: A-A



Ordering Information

6335 M 068 S S XX M NA0X

No. of Pins
68P

Contact Plating
G0: Gold Flash
SM: 3u" Gold / Matte Tin

		OPERATION		DRAW	YiYuSheng	16.08.03	SCALE	FIT
		X.X	±0.30					
		X.XX	±0.20	CHECK			UNIT	mm
		X.XXX	±0.10					
A	2016.08.03	NEW DRAWING		APPROVE			SHEET	1/2
REV	DATE	MODIFICATION DESCRIPTION						

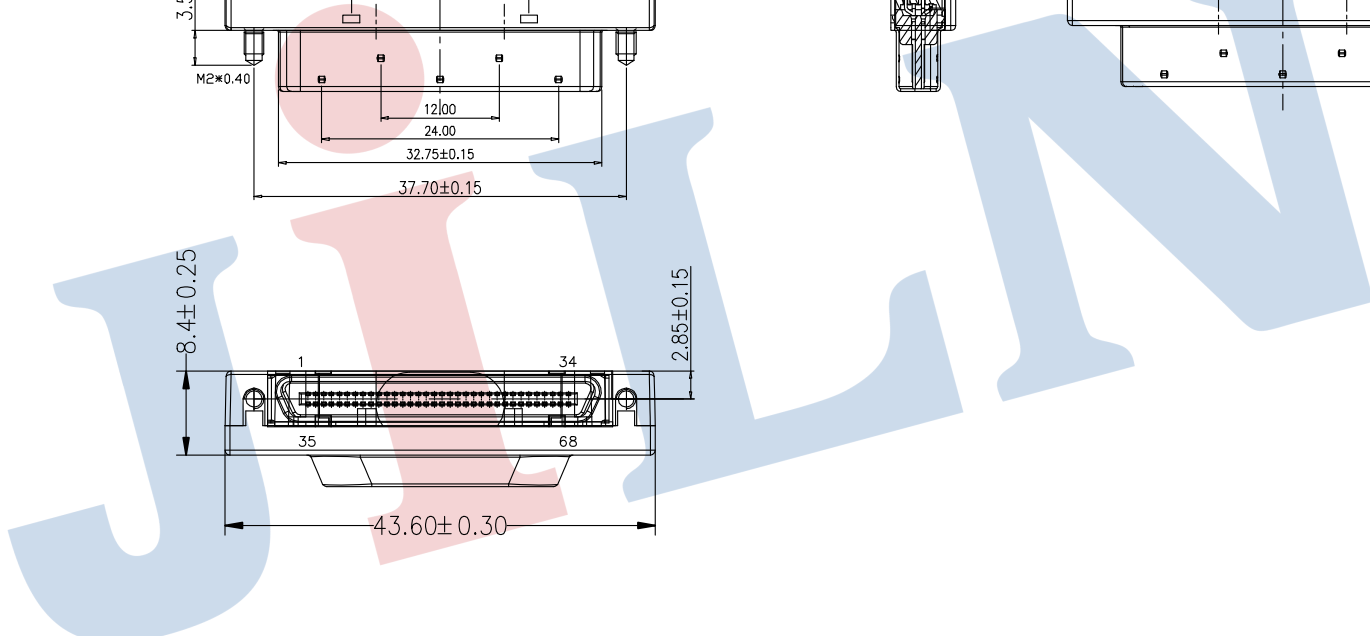
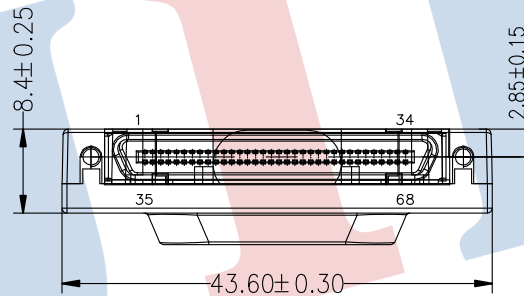
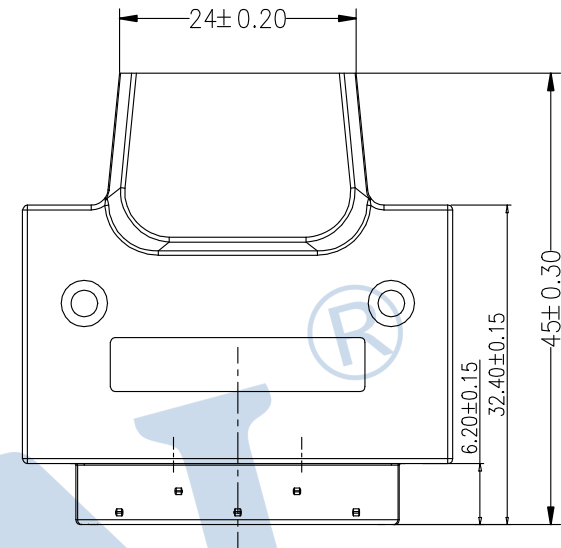
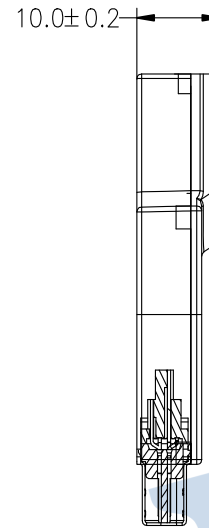
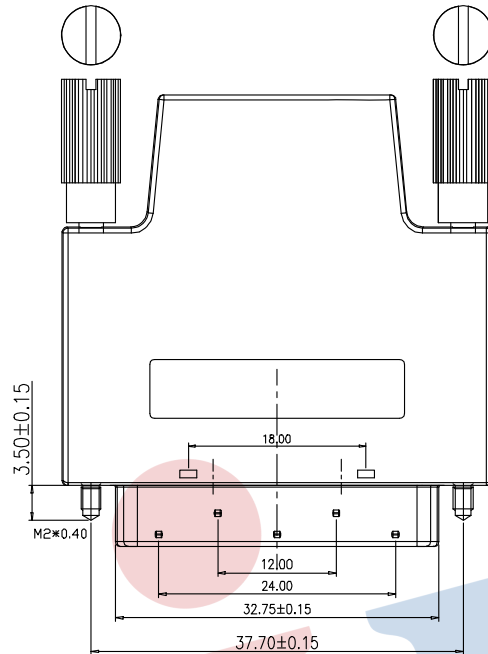
JILN 深圳市锦凌电子有限公司
SHENZHEN JINLING ELECTRONICS CO.,LTD

Tel: 86-755-27483253 Fax: 86-755-2997-5588

PART NO. 6335-M068SSXXMNA0X
TITLE: HALF PITCH RIBBON CONNECTOR
TAT-VHDCI-68PIN 焊线式 MINI-SCSI 配锌合金外壳

HSF RoHS

Wire Range:AWG24#



				OPERATION		DRAW	YiYuSheng	16.08.03	SCALE	FIT	JILN ® 深圳市锦凌电子有限公司 SHENZHEN JINLING ELECTRONICS CO.,LTD Tel: 86-755-27483253 Fax: 86-755-2997-5588	
				X.X	±0.30				UNIT	mm		
				X.XX	±0.20	CHECK		SIZE	A4	PART NO.		6335-M068SSMMNA01
				X.XXX	±0.10		APPROVE		SHEET	2/2	TITLE:	
REV	DATE	MODIFICATION DESCRIPTION	CHANGE	DIM	TOL				PROJ.		TAT-VHDCI-68PIN 焊线式 MINI-SCSI 配锌合金外壳	
1	2	3	4	5	6	7	8	9				