

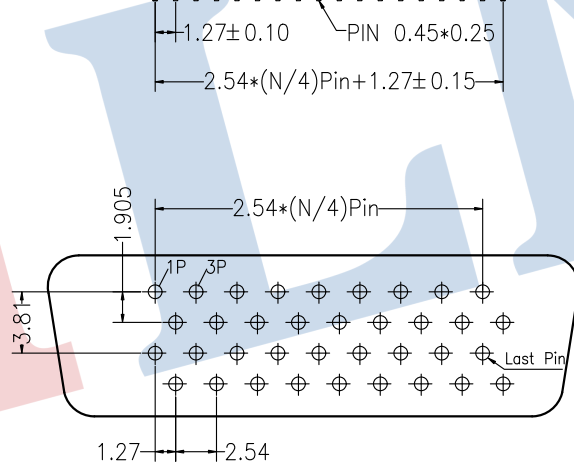
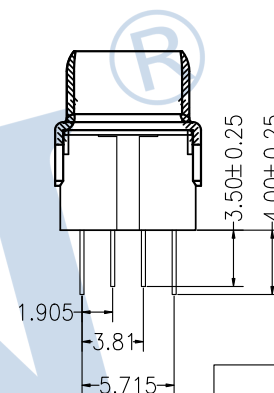
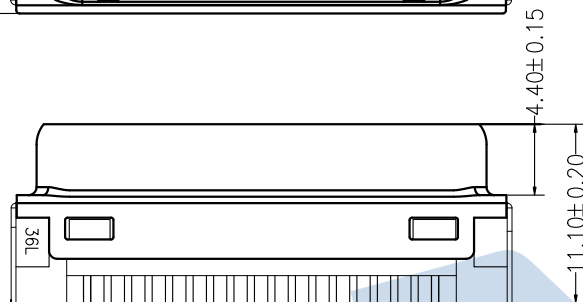
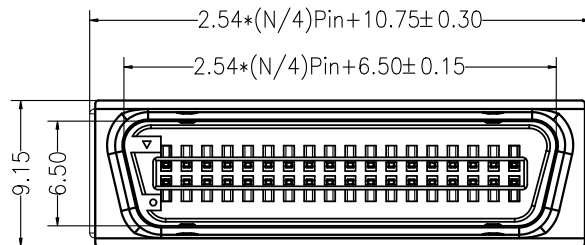
# HSF RoHS

## MATERIALS

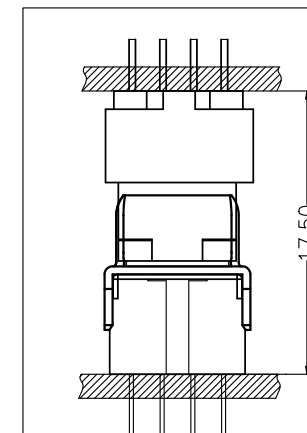
Housing: Plastic Thermoplastic, PA6T, UL94V-0, Black  
 Contact Material: Copper Alloy Gold Selective Plated  
 Front Shell: Steel, Nickel Plated Over Copper  
 RoHS Compliant

## ELECTRICAL CHARACTERISTICS

Rated Current: 1.0AMP  
 Withstand Voltage: 500V AC/DC  
 Insulation Resistance: 500MΩ Min  
 Contact Resistance: 35mΩ Max  
 Operation Temperature: -55°C to +105°C



Recommended P.C.B Layout (Top Side)  
 (PCB BOARD TOLERANCE ± 0.05)



母图配套图

## Ordering Information

6300M XXX S D XX M N A 0 X

No. of Pins  
26, 36, 50P

Connector Type  
S=180°

Contact Plating  
 S0: Gold Flash/Tin  
 S1: 3U" Gold /Tin  
 S2: 5U" Gold /Tin  
 S3: 10U" Gold /Tin  
 S4: 15U" Gold /Tin  
 S5: 30U" Gold /Tin

REV	DATE	MODIFICATION DESCRIPTION	CHANGE	OPERATION		DRAW	RICH LIN	2023.03.28	SCALE	FIT
				DIM	TOL					
A0	2023.03.28	NEW DRAWING		X.X	±0.30	CHECK			UNIT	mm
				X.XX	±0.15				SIZE	A4
				X.XXX	±0.10				SHEET	1/1
				Angle	±3°	APPROVE			PROJ.	◆

**JILN** 深圳市锦凌电子有限公司  
 SHENZHEN JINLING ELECTRONICS CO., LTD  
 Tel: 86-755-27483253 Fax: 86-755-2997-5588

PART NO. 6300MXXXSDXXMNAOX  
 TITLE: SCSI-NPIN 公头 插板式