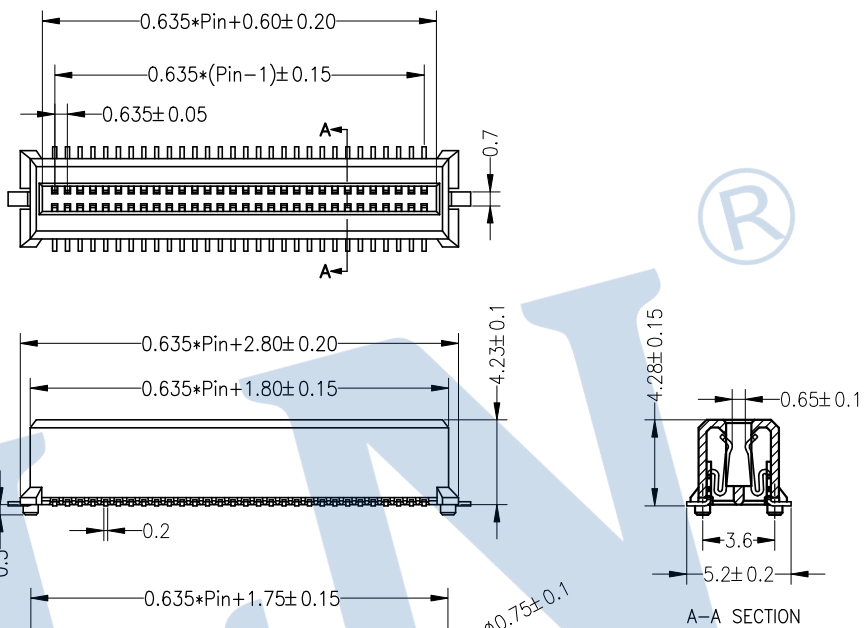


HSF RoHS

**SPECIFICATIONS
PERFORMANCE**

Electical Rating: AC/DC 50V 0.5A
 Contact Resistance: 80mΩ Max
 Insulation Resistance: 500MΩ Min
 Withstand Volt: 500V AC/minute
 Opratng Temperature: -40°C to +105°C

Material
 Contact: Phosphor Bronze Gold-Plated
 Housing: LCP UL94V0
 Max.Processing Temp: 260°C ± 5° 5S



Ordering Information

3724 M XXX 043 XX X X 0X

F=Female
 M=Male

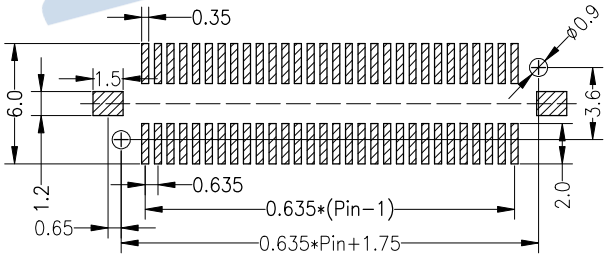
No.of pins
 20P~100P

Plastic Hight
 043=4.28mm

Contact Plating
 G0:Gold Flash
 G1:3U" Gold
 G2:5U" Gold
 G3:10U" Gold
 G4:15U" Gold
 S0:1.5U" Gold/Tin
 S1:3U" Gold/Tin

Insulator Material Option
 D=BK-PA46
 E=BK-PA9T
 F=BK-LCP

Packing
 T:Tube
 R:Reel



P.C.B Layout

				OPERATION		DRAW	RICH LIN	22.07.08	SCALE	FIT	JILN ® 深圳市锦凌电子有限公司 SHENZHEN JINLING ELECTRONICS CO.,LTD Tel: 86-755-27483253 Fax: 86-755-2997-5992						
				X.X	± 0.30								CHECK			UNIT	mm
				X.XX	± 0.20	APPROVE			SHEET	1/1	TITLE:	0.635mm 浮动式BTB NPin H4.28 Male					
				X.XXX	± 0.10												
A0	2022.07.08	NEW DRAWING		Angle	± 3°												
REV	DATE	MODIFICATION DESCRIPTION		CHANGE													