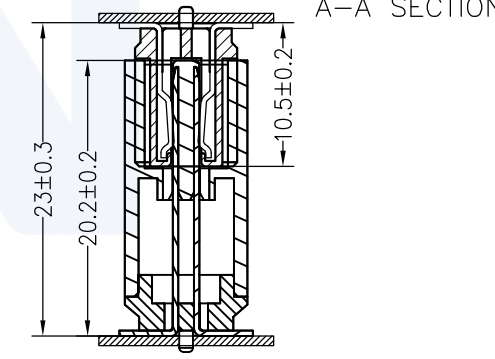
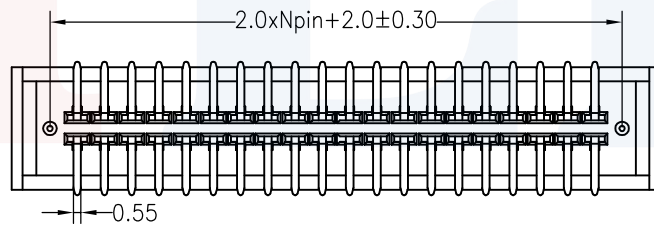
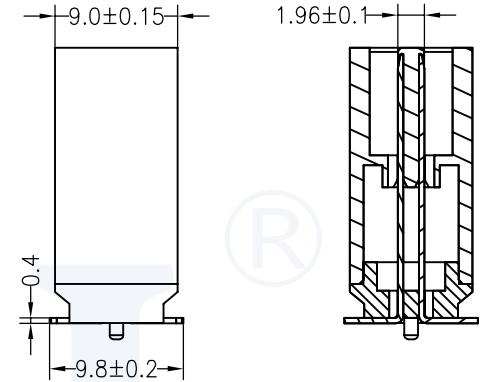
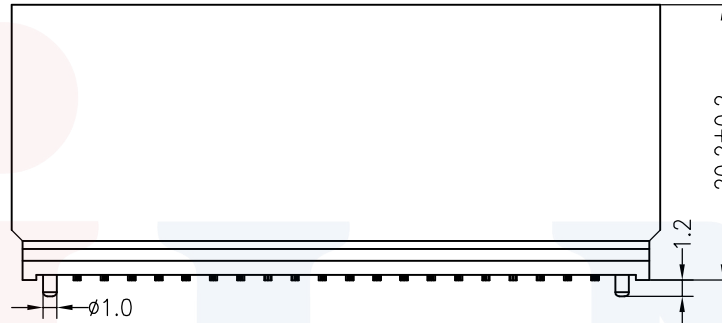
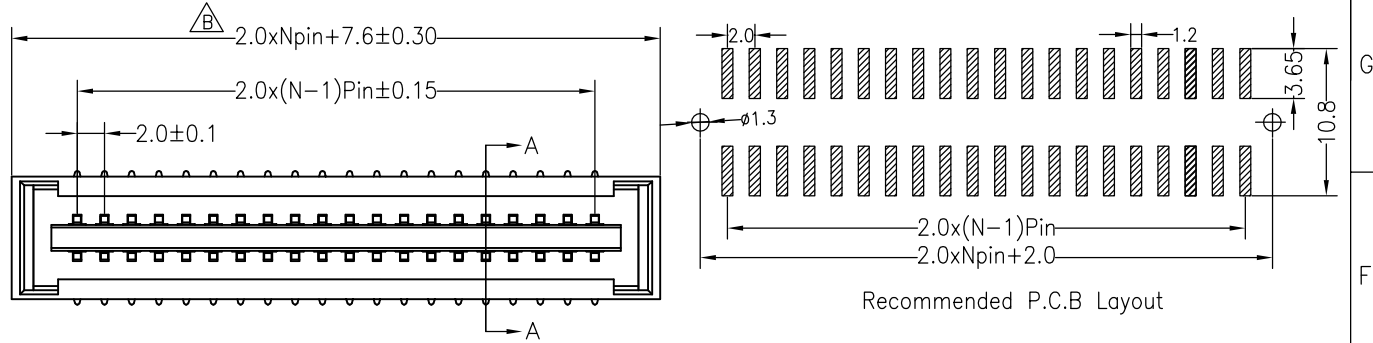


HSF RoHS

SPECIFICATIONS

Rated Current: 3.0AMP
 Contact Resistance: 20mΩ Max
 Withstand Voltage: 1000V AC/DC
 Insulation Resistance: 1000MΩ Min
 Operation Temperature: -40°C to +105°C

Contact Material: Phosphor bronze
 Contact Plating: Au or Sn Over Ni
 Insulator Material: Polyester (UL94V-0)
 Standard: PA9T
 Max. Processing Temp: 230°C for 30-60 seconds
 260°C for 10 seconds



Ordering Information

4410- 2 XX M G1 M E B W 03

No. of Pins
 2x20P
 2x25P
 2x27P
 2x32P

Contact Plating
 G0: Gold Flash
 G1: 1U" Gold
 G2: 2U" Gold
 G3: 3U" Gold
 G4: 5U" Gold
 G5: 10U" Gold

OPERATION		DRAW	yiyusheng	20.03.19	SCALE	FIT
X.X	±0.30					
X.XX	±0.20	CHECK			UNIT	mm
X.XXX	±0.10					
Angle	±3°	APPROVE			SIZE	A4
DIM	TOL					
SHEET	1/1	PART NO.	4410-2XXMG1MEBW03			
PROJ.	◆			TITLE:	2.0加强型金手指连接器 公座 2xNpin H20.2 SMT 带柱	

JILN 深圳市锦凌电子有限公司
 SHENZHEN JINLING ELECTRONIC CO.,LTD
 Tel: 86-755-2997-5806/5802 Fax: 86-755-2997-5992

B	2020.03.19	长度两边各加胶0.8	
A	2020.03.19	NEW DRAWING	
REV	DATE	MODIFICATION DESCRIPTION	CHANGE