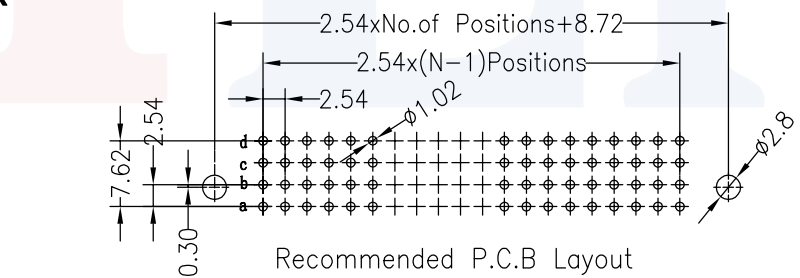
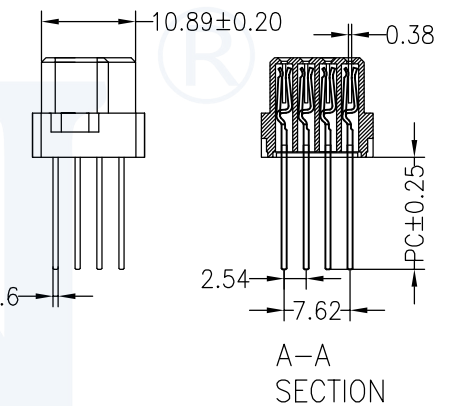
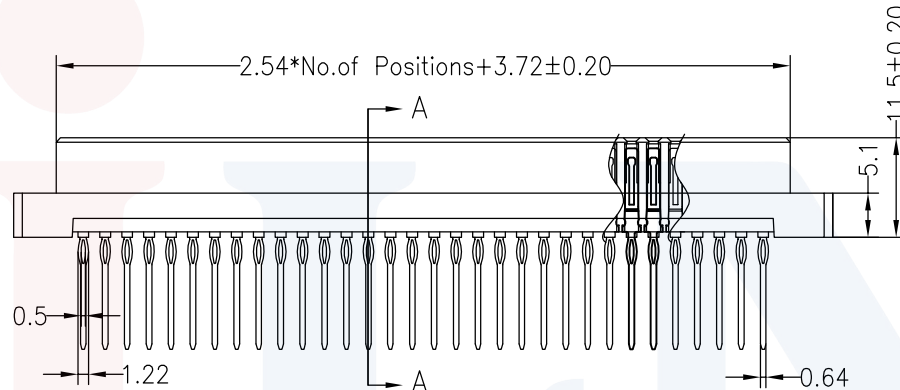
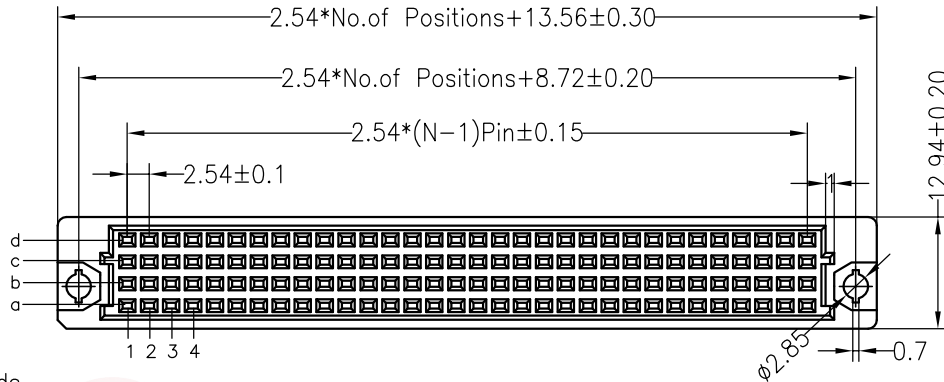




SPECIFICATIONS

Rated Current: 3.0AMP
 Contact Resistance: 30mΩ Max
 Withstand Voltage: 1000V AC/DC
 Insulation Resistance: 1000MΩ Min
 Operation Temperature: -40°C to +105°C

Contact Material: Brass
 Contact Plating: Au or Sn Over Ni
 Insulator Material: Polyester (UL94V-0)
 Standard: PBT
 Max. Processing Temp: 180°C for 30-60 seconds
 (200°C for 10 seconds)



Dimension antitheses list	
ITEM	PC
Standard	2=13.0 3=15.0 4=17.0
Alternate	

Ordering Information

35154 128 A F S XX BNAX

- No. of Pins: 128P
- Contact Type: F=Female
- Contact Plating:
 - G0: Gold Flash
 - S0: Gold Flash/Tin
 - S1: 2U" Gold/Tin
 - S2: 5U" Gold/Tin
 - S3: 10U" Gold/Tin
 - S4: 15U" Gold/Tin
 - S5: 30U" Gold/Tin
 - SN: Tin

A	AO	2019.08.19	NEW DRAWING	CHANGE	OPERATION	DRAW	YiYuSheng	19.08.19	SCALE	FIT	JILN® 深圳市锦凌电子有限公司 SHENZHEN JINLING ELECTRONIC CO.,LTD Tel: 86-755-2997-5806/5802 Fax: 86-755-2997-5992	PART NO. 35154128AFSXXBNAX
	REV	DATE	MODIFICATION DESCRIPTION	CHANGE	X.X	±0.30	CHECK		UNIT	mm		
					X.XX	±0.20			SIZE	A4		
					X.XXX	±0.10			SHEET	1/1		
					Angle	±3°	APPROVE		PROJ.	◆		
				DIM	TOL							