

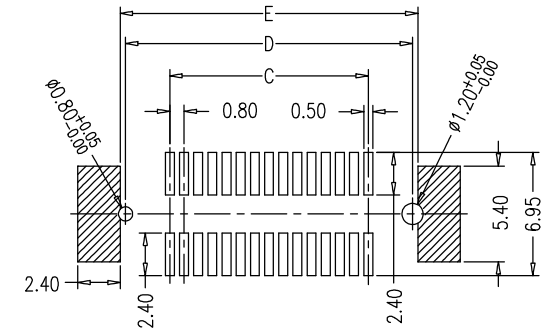
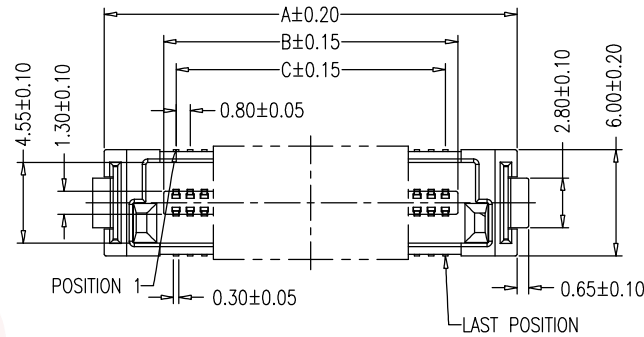
HSF RoHS

SPECIFICATIONS
PERFORMANCE

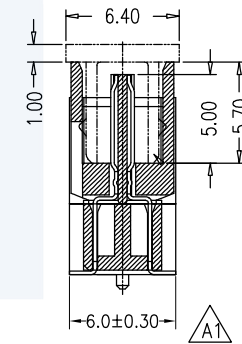
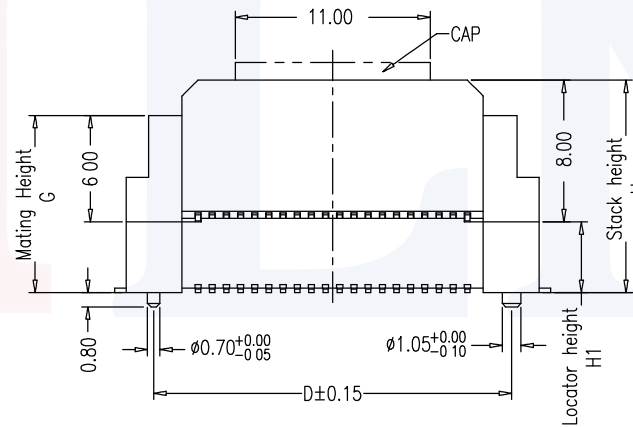
Electical Rating: AC/DC 50V 0.5A
 Insulation Resistance: 500MΩ Min
 Withstang Volt: 200V AC/minute
 Opratng Temperature: -40°to+125°
 Material

Contact: Phosphor Bronze Gold-Plated
 Housing: LCP
 Max.Processing Temp: 230°C for 30-60 seconds
 (260°C for 10 seconds)

Recommended P.C.B Layout(Top Side)
 (PCB BOARD TOLERANCE±0.05)



No. of Pins	Dimension					Dim H	Dim G	Dim H1
	A	B	C	D	E	8.00	6.00	---
20	15.30	8.60	7.20	12.20	12.80	11.00	9.00	3.00
30	19.30	12.60	11.20	16.20	16.80	12.00	10.00	4.00
40	23.30	16.60	15.20	20.20	20.80	13.00	11.00	5.00
50	27.30	20.60	19.20	24.20	24.80	14.00	12.00	6.00
60	31.30	24.60	23.20	28.20	28.80			
80	39.30	32.60	31.20	36.20	36.80			
100	47.30	40.60	39.20	44.20	44.80			
120	55.30	48.60	47.20	52.20	52.80			
160	71.30	64.60	63.20	68.20	68.80			



Ordering Information

3711 M XXX XX X X 01

F=Female
 M=Male
 No. of pins
 20P~160P
 Plastic Hight
 080=8.00mm
 Contact Plating
 C0:Gold Flash
 C1:3U" Gold
 C2:5U" Gold
 C3:10U" Gold
 C4:15U" Gold
 C5:30U" Gold
 S1:Gold Flash/Tin
 Insulator Material
 Option
 C=BK-PA6T
 D=BK-PA46
 E=BK-PA9T
 F=BK-LCP
 Packing
 T=Tube
 P=Tube+Cap
 R=Reel+Cap

OPERATION		DRAW	yiyusheng	19.10.11
X.X	±0.30			
X.XX	±0.20	CHECK		
X.XXX	±0.10			
Angle	±3°	APPROVE		
DIM	TOL			

SCALE	FIT
UNIT	mm
SIZE	A4
SHEET	1/1
PROJ.	

JILN® 深圳市锦凌电子有限公司
SHENZHEN JINLING ELECTRONIC CO.,LTD
 Tel: 86-755-2997-5806/5802 Fax: 86-755-2997-5992

PART NO.	3711MXXXXXXXXX01
TITLE:	0.8BTB NPin Male heighten D-Type

A1	2019.10.11	修改图纸公差6.0±0.2 → 6.0±0.3	
A0	2013.05.28	NEW DRAWING	
REV	DATE	MODIFICATION DESCRIPTION	CHANGE