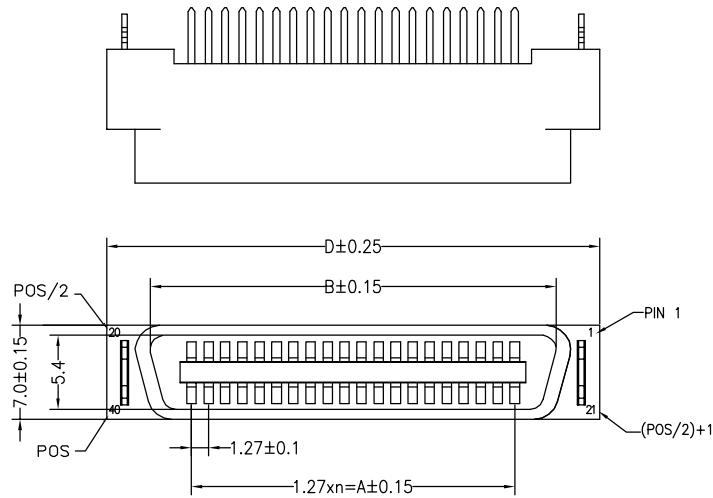


HSF RoHS

SPECIFICATIONS

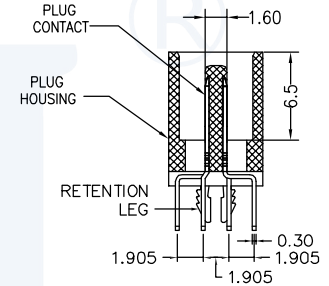
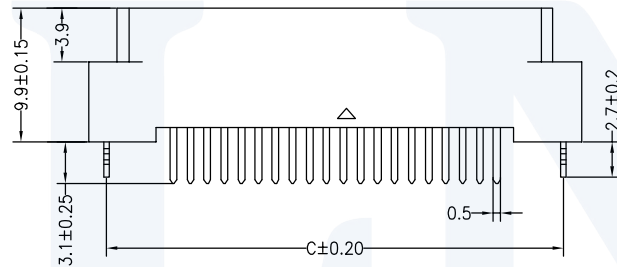
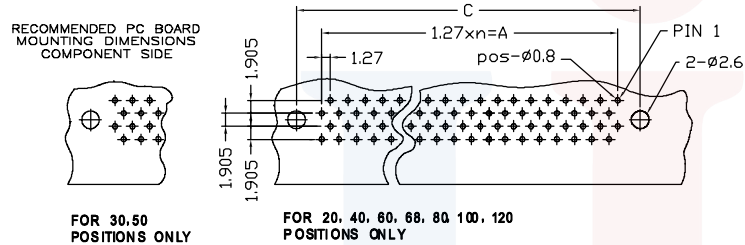
Rated Current:1.0AMP
 Contact Resistance:35mΩ Max
 Withstand Voltage:500V AC/DC
 Insulation Resistance:500MΩ Min
 Operation Temperature:-40°C to +105°C

Contact Material:Phosphor bronze
 Contact Plating:Au or Sn Over Ni
 Insulator Material:Polyester(UL94V-0)
 Standard: LCP
 Max.Processing Temp: 230°C for 30-60 seconds
 (260°C for 10 seconds)



| | | | | | |
|-----|-------|-------|-------|-------|----|
| 120 | 74.93 | 80.74 | 84.90 | 87.55 | 59 |
| 100 | 62.23 | 68.04 | 72.20 | 74.85 | 49 |
| 80 | 49.53 | 55.34 | 59.50 | 62.13 | 39 |
| 68 | 41.91 | 47.72 | 51.88 | 54.53 | 33 |
| 60 | 36.83 | 42.64 | 46.80 | 49.45 | 29 |
| 50 | 30.48 | 36.29 | 40.45 | 43.10 | 24 |
| 40 | 24.13 | 29.94 | 34.10 | 36.70 | 19 |
| 30 | 17.78 | 23.59 | 27.75 | 30.35 | 14 |
| 20 | 11.43 | 17.24 | 21.40 | 24.00 | 9 |
| POS | A | B | C | D | n |

RECOMMENDED PC BOARD MOUNTING DIMENSIONS COMPONENT SIDE



Ordering Information

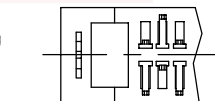
6314-M XXX S D XX P N A 01

No. of Pins
20,30,40,50,
60,68,80,100,120P

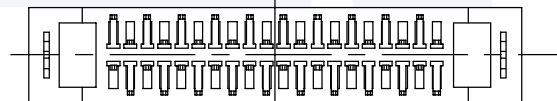
Connector Type
S: Straight

Contact Plating
G0: Gold Flash
S0: Gold Flash/Tin
S1: 3U" Gold /Tin
S2: 5U" Gold /Tin
S3: 10U" Gold /Tin
S4: 15U" Gold /Tin
S5: 30U" Gold /Tin

Packing
A: Tray



FOR 30, 50 POS



FOR 20, 40, 60, 68, 80, 100, 120 POS

| | | | | | | |
|-----------|-------|---------|-----------|----------|-------|-----|
| OPERATION | | DRAW | Yiyusheng | 18.07.19 | SCALE | FIT |
| X.X | ±0.30 | | | | UNIT | mm |
| X.XX | ±0.20 | CHECK | | | SIZE | A4 |
| X.XXX | ±0.10 | | | | SHEET | 1/1 |
| Angle | ±3° | APPROVE | | | PROJ. | ◆ |
| DIM | TOL | | | | | |

JILN® 深圳市锦凌电子有限公司
 SHENZHEN JINLING ELECTRONICS CO.,LTD
 Tel: 86-755-2997-5806 Fax: 86-755-2997-5992

| | | | | | | | | | | | |
|-----|------------|--------------------------|--------|-----------|------|-----------|----------|-------|-----|----------|---------------------------------|
| A0 | 2018.07.19 | NEW DRAWING | CHANGE | OPERATION | DRAW | Yiyusheng | 18.07.19 | SCALE | FIT | PART NO. | 6314MXXXSDXXPNA01 |
| | | | | | | | | | | TITLE: | SCSI Male NPin All-Plastic 180° |
| REV | DATE | MODIFICATION DESCRIPTION | CHANGE | DIM | TOL | APPROVE | | PROJ. | ◆ | | |