

**HSF RoHS**

**SPECIFICATIONS**

Rated Current:1.0Amp  
 Contact Resistance:35mΩ Max  
 Withstand Voltage:500V AC/DC  
 Insulation Resistance:500MΩ Min  
 Operation Temperature:-40°C to +105°C  
 Wire Accomodation:30AWG

Contact Material:Phosphor Bronze  
 Contact Area Plated:Au or Sn Over Ni  
 Insulator Material:PBT (UL94V-0),Black

NO OF CONTACT	DIME NSIONS		
	A	B	C
50	40.47	30.48	40.17
68	51.90	41.91	51.60

**Ordering Information**

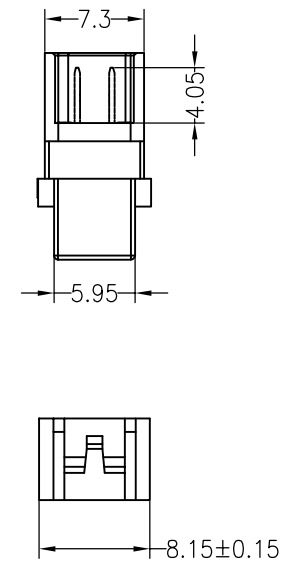
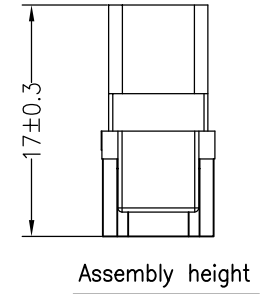
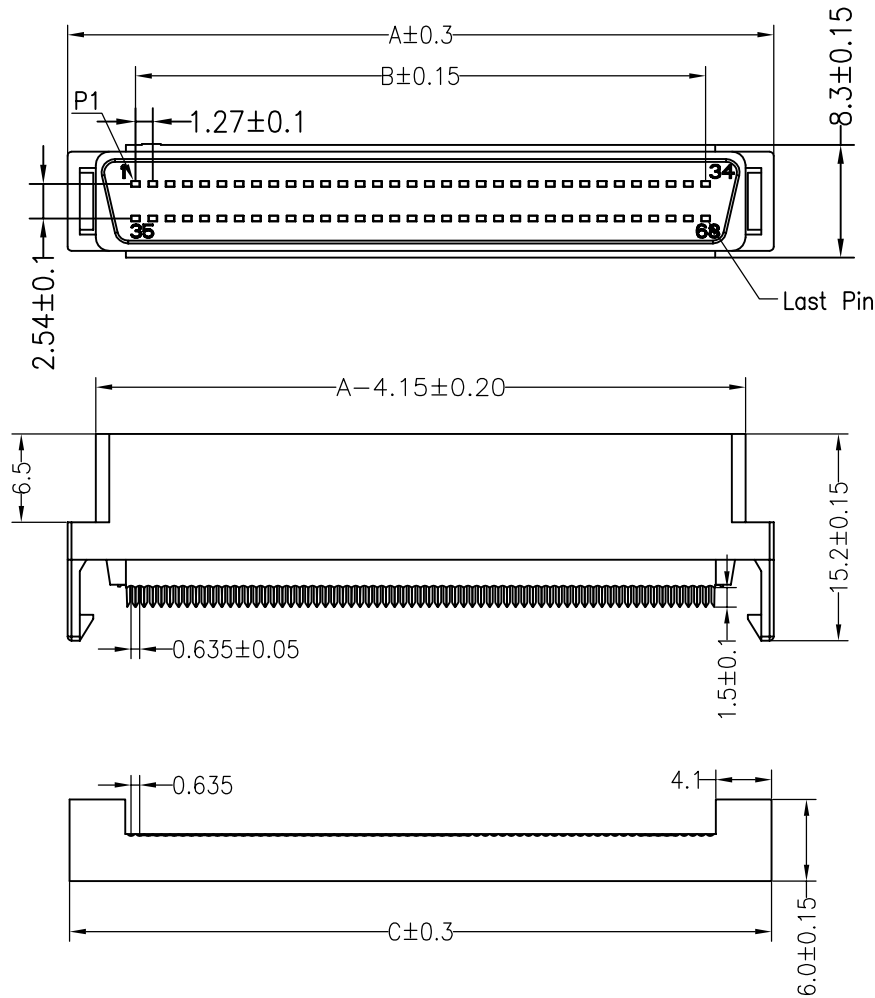
**6310- M XXX S I XX PN X01**

No.of Pins  
50,68P

Connector Type  
I=IDC Type

Contact Plating  
 G0:Gold Flash  
 S0:Gold Flash/Ni  
 S1:3U" Gold /Ni  
 S2:5U" Gold /Ni  
 S3:10U" Gold /Ni  
 S4:15U" Gold /Ni  
 S5:30U" Gold /Ni

Packing  
T:Tube  
A:Tray



				OPERATION		DRAW	YiYuSheng	19.12.31	SCALE	FIT	<b>JILN</b> 深圳市锦凌电子有限公司 SHENZHEN JINLING ELECTRONIC CO.,LTD Tel: 86-755-2997-5806/5802 Fax: 86-755-2997-5992	
				X.X	±0.30				UNIT	mm		
				X.XX	±0.20	CHECK		SIZE	A4	PART NO.		6310MXXXSIXXPNX01
				X.XXX	±0.10		SHEET	1/1	TITLE:		SCSI Male 50P/68P IDC-Type	
REV	DATE	MODIFICATION DESCRIPTION	CHANGE	Angle	±3°	APPROVE		PROJ.				
DIM	TOL											